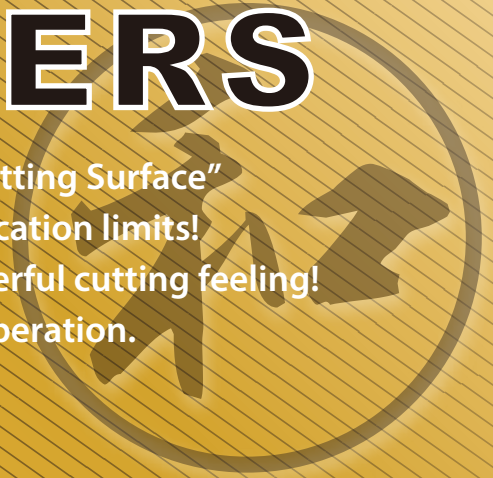


# WA-NIPPERS

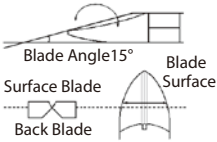
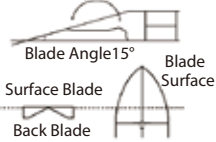
“Wonderful Cutting Feeling” & “Beautiful Cutting Surface”  
 Regular item but we pursuit until the specification limits!  
 Last finish by Japanese Artisan brings wonderful cutting feeling!  
 Coiled spring enables easy for continuous operation.



**WA-NIPPERS  
MJ-15**



**WA-NIPPERS  
MJ-15F**

Item Code	301-141	301-140
Model	MJ-15	MJ-15F
Blade Surface Shape	<p>R type</p> 	<p>Flat type</p> 
Material	S58C	S58C
HRC	56 ~ 64	52 ~ 60
Weight/Size	155g/150mm	150g/150mm

 **ALFA MIRAGE Co., Ltd.**

3-2-19, Miyakojimahondori Miyakojima-ku,  
 Osaka 534-0021, JAPAN  
 Phone: +81 6 6924 2631 Fax: +81 6924 2044  
[sales@alfamirage.com](mailto:sales@alfamirage.com)  
[www.alfamirage.com](http://www.alfamirage.com)